



OUTLINE DIMENSIONS

MOTOR TYPE:
AMRCED-S
FRAME NO. 286VP

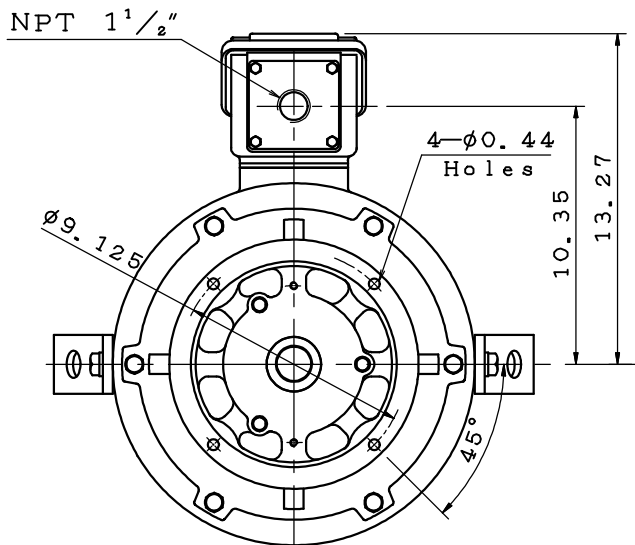
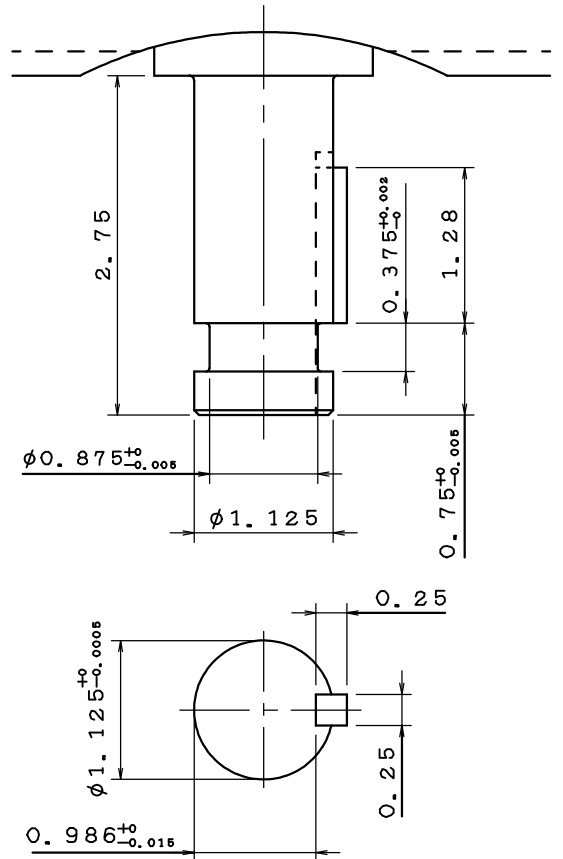
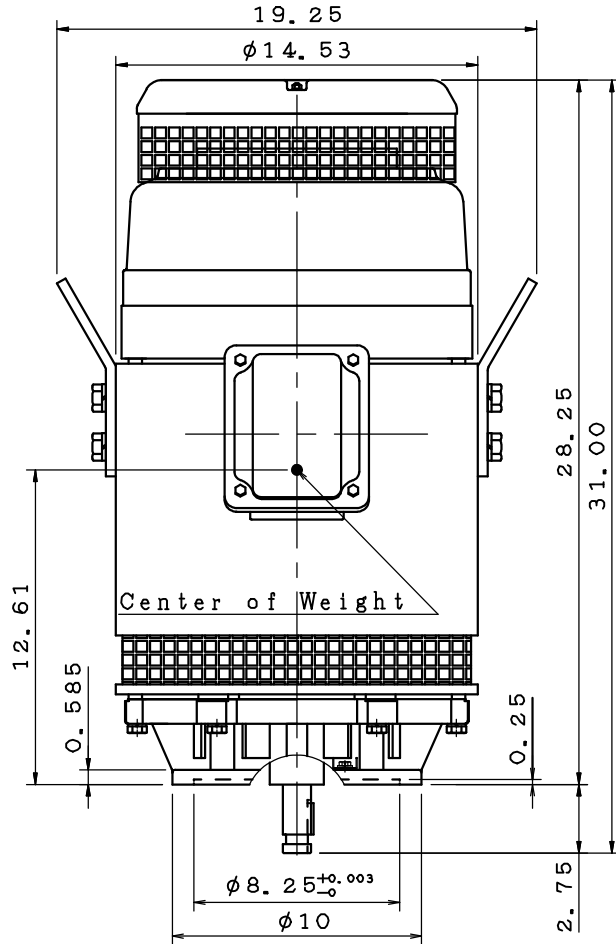
DATE

3-PHASE INDUCTION MOTOR

Pole	HP	kW	Hz	VOLT	r/min
4	30	—	60	—	1800

Ins	Rating	Dimension in	Approx Weight	Bearings
F	CONT.	inch	430 lbs	DE:6311ZZC3 NDE:7312B

NEMA Weather Protected TYPE I (WP I). Squirrel-cage Rotor.



Note:

1. Downthrust: 3350 lbs (L₁₀: 8800 hrs.)
2. Rotation: C. C. W (View from Top)
3. Without N. R. R.
4. Approx Reed Frequencies: 76.4 Hz

TA18122A-00-00

	.	.
--	---	---

DWG.	簡學民	10.02.18	東元電機股份有限公司 TECO Electric & Machinery Co., Ltd. TAIWAN	DWG NO.	31057H808310
CHKD.	簡學民	10.02.18			
APPD.	徐聰豪	10.02.18			